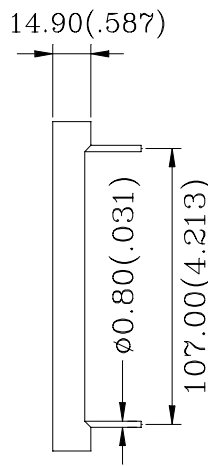
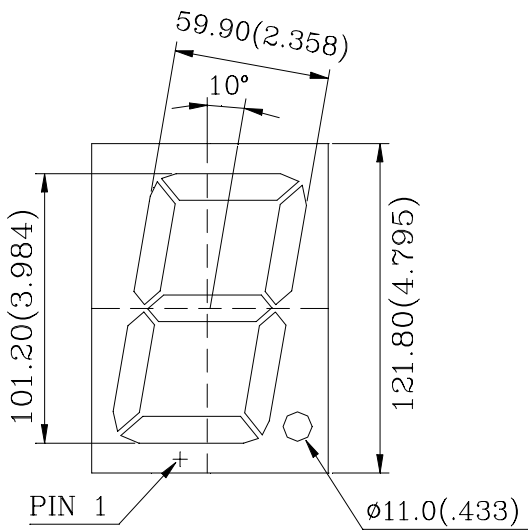


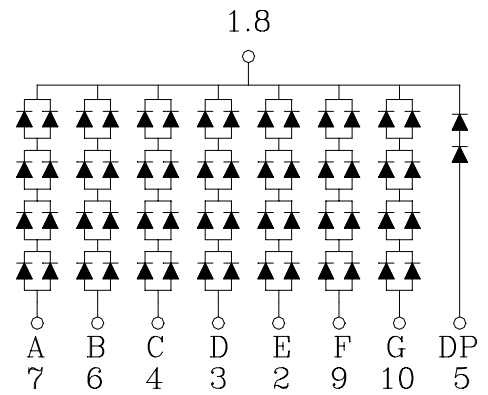
C/A-4001X SINGLE DIGIT DISPLAY

Shape	Part No.		Chip		Wave Length λ_p (nm)	Electro-Optical Characteristics			Fig. No.
	Common Cathode	Common Anode	Raw Material	Emitted Color		Vf(V)20mA		Iv(ucd)10mA	
						Typ.	Max.	Typ.	
	C-4001H	A-4001H	GaP	Red	700	8.4	10.0	4400	D22
	C-4001E	A-4001E	GaAsP/GaP	Hi. effi Red	635	8.0	10.0	12000	
	C-4001G	A-4001G	GaP	Green	565	8.4	10.0	9000	
	C-4001Y	A-4001Y	GaAsP/GaP	Yellow	585	8.4	10.0	9000	
	C-4001SR	A-4001SR	GaAlAs	Super Red	660	7.5	8.0	60000	

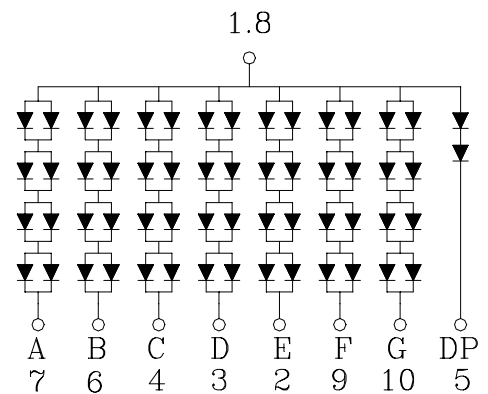
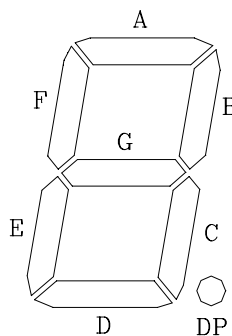
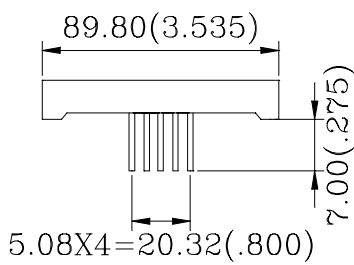
Fig.D22



C-4001X



A-4001X



- 1.All dimension are in millimeters (inches).
- 2.Tolerance is ± 0.25 mm (0.01") unless otherwise specified.